

Drying rack

Recommended Use

The Drying rack provides space for 20 A2 size plastic coated wire racks and one A2 size plastic tray. The spacing may be adjusted to provide for paper or model/construction drying. There is also space at the bottom to store extra wire racks.

⚠ WARNING

- ▲ This product is intended for use by children of immature judgment, therefore supervision is required at all times.

⚠ CAUTION

- ▲ For indoor use only. The Drying rack is not waterproof.

Assembly

H560 DRYING RACK comes in 2 cartons

- 1 **H562** carton with 10 wire racks
- 1 **H561** carton with the Drying rack and one plastic tray

If your shipment is incomplete, please call Customer Service.

Accessories

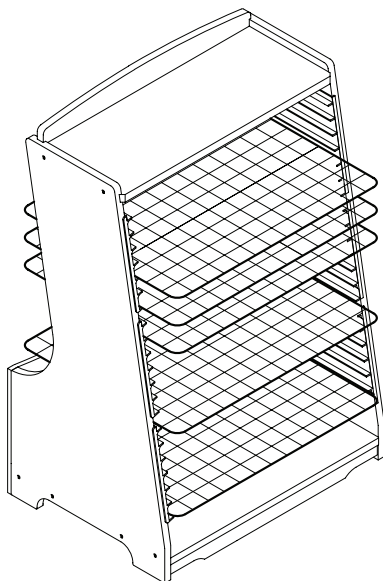
10 extra wire racks

Construction

The wooden components are manufactured from solid birch and birch plywood protected with a child-safe finish. The wire racks are coated in plastic and the tray is plastic.

Cleaning

Wipe with a damp cloth and mild detergent. Dry immediately. Leaving water or cleaning agent on the surface may damage the finish.



Mobility

It is important to understand how to operate the mobility feature, which can be easily engaged, and disengaged using the following procedure:

1. With one person at each end of the unit, tip slightly back, allowing the toe trim to pivot.
2. One person keeps the item tipped, while the other rotates the toe trim to the desired position by pulling or pushing on one of the handholds at each end of the toe trim. (Fig. A)

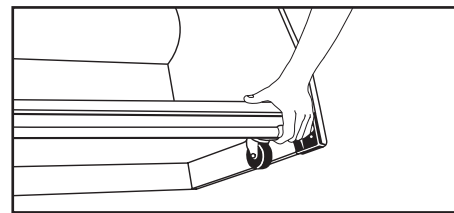


Figure A

⚠ CAUTION

- ▲ Never change the position of the toe trim with less than two people.
- ▲ Always use the handholds provided at each end of the toe trim. (Fig. A)
- ▲ After disengaging the wheels, give item a small sideways push to settle the wheels into place. You will notice the item sitting down securely on its glides.

Maintenance

Periodically inspect for cracks, breaks, loose parts, missing parts, and/or malfunctions. Remove the product from service when any condition develops that might make operation unsafe.

User Modifications

We cannot be responsible for modifications made by customers to our products in the field without our supervision, testing, or evaluation.

Ordering Parts

To order replacement parts, contact Customer Service with a description of the part(s) needed and the ID Code from the product.

Use only replacement parts supplied by Community Playthings.

IMPORTANT

Retain these instructions for future reference.

© 2005 by Community Products (UK) Ltd
MY75 Eu 0369 Revision 01

Community Playthings

Brightling Road, Robertsbridge, TN32 5DR UK

Phone: 0800 387 457

www.communityplaythings.co.uk sales@communityplaythings.co.uk